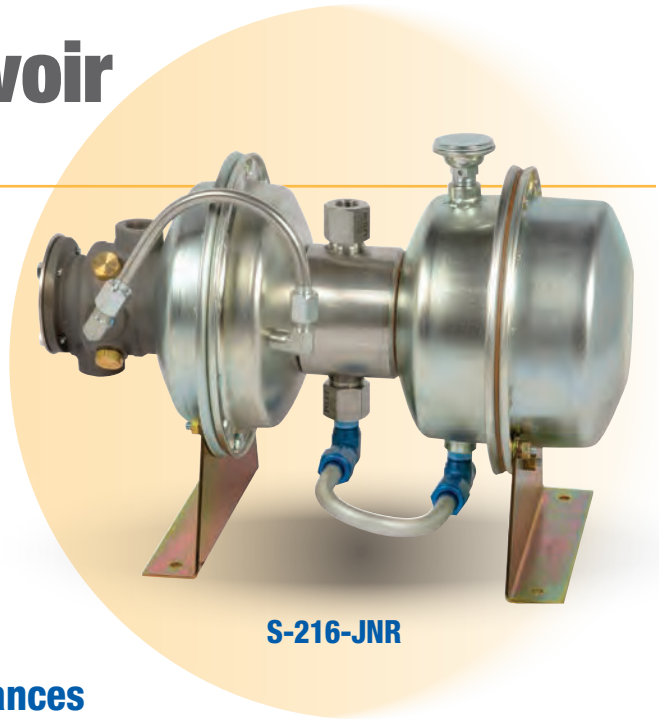


# Portable Pump Reservoir

## JR Series Pump/Reservoir

### S-216-JNR-( ) Pump/Reservoir Non-lubricated

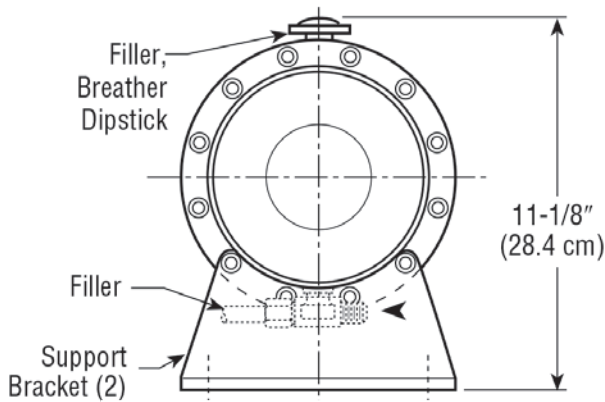
This pump assembly combines the S-216-JN standard pump (non-lubricated air type) with a one-gallon (3.8 liters) steel reservoir. No additional contaminants are exhausted from the pump. Readily adaptable to portable power pack use. Also suitable for stationary use to provide hydraulic power for production machinery or for hydrostatic testing. This unit is not available in 150:1, 200:1 or 300:1 ratios.



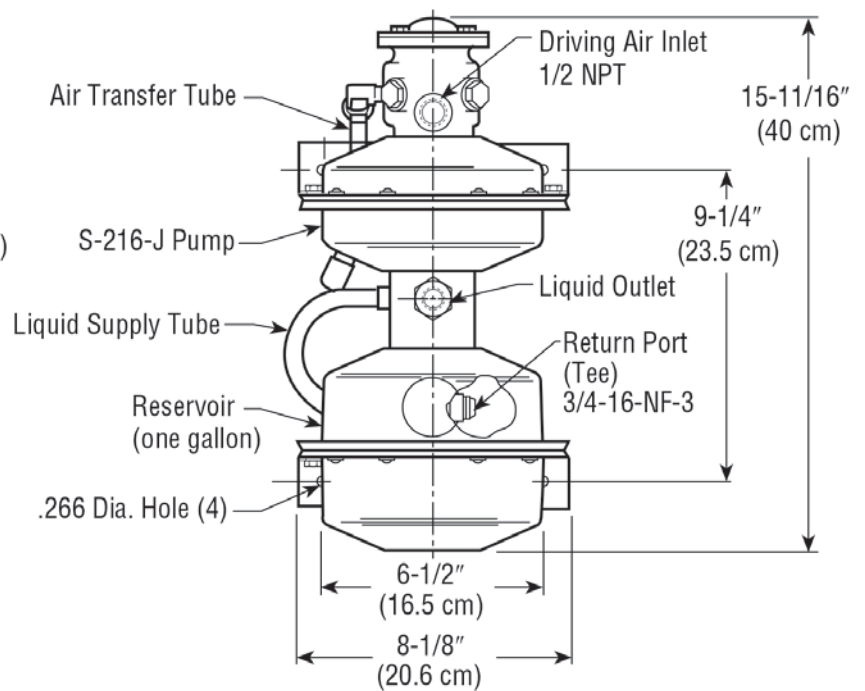
S-216-JNR

2

### S-216-JNR Nominal Dimensions and Clearances



Reservoir End View



View Looking Down at Pump/Reservoir

# Portable Pump Reservoir - JR Series

Model No.	Ref. No	Maximum Output - See Note		Port Threads			Actual Weight		Shipping Weight	
				Driving Air	Liquid		lbs.-oz.	kg	lbs.-oz.	kg
		psi	bar		Inlet	Outlet				
<b>S-216-JNR-10</b>	89842-1	1025	71	1/2 NPT	3/8 NPT	3/8 NPT	24-4	11.0	27-4	12
<b>S-216-JNR-20</b>	89842-2	1910	132	1/2 NPT	3/8 NPT	3/8 NPT	22-8	10.2	25-8	11.6
<b>S-216-JNR-30</b>	89842-3	3200	221	1/2 NPT	3/8 NPT	3/8 NPT	22-8	10.2	25-8	11.6
<b>S-216-JBNR-35</b>	94198-035	4760	328	1/2 NPT	3/8 NPT	3/8 NPT	20-8	9.3	23-8	10.7
<b>S-216-JBNR-60</b>	94198-060	6330	436	1/2 NPT	3/8 NPT	3/8 NPT	20-8	9.3	23-8	10.7
<b>S-216-JBNR-100</b>	94198-101	9100	627	1/2 NPT	3/8 NPT	3/8 NPT	20-8	20-8	23-8	10.7
<b>S-216-JBNR-101</b>	94198-101	10000	690	1/2 NPT	3/8 NPT	3/8 NPT	20-8	20-8	23-8	10.7
<b>S-216-JBNR-125</b>	94198-125	12400	855	1/2 NPT	1/4 NPT	9/16-18 NBS	12-8	5.7	15	6.8
<b>S-216-JBNR-150</b>	94198-150	16200	1117	1/2 NPT	1/4 NPT	9/16-18 NBS	20-8	9.3	23-8	10.7
<b>S-216-JBNR-200</b>	94198-200	24900	1717	1/2 NPT	1/4 NPT	9/16-18 NBS	20-8	9.3	23-8	10.7
<b>S-216-JBNR-300</b>	94198-300	36500	2517	1/2 NPT	1/4 NPT	9/16-18 NBS	20-8	9.3	23-8	10.7

**NOTE:** Pump maximum output pressure is based on 100 psi (6.9 bar) driving air pressure.

