

High Pressure Hand Pump

JB Series Hand Pump

94301-()

This single-acting, piston type hand pump is ideal for hydrostatic testing and other industrial applications that require low volumes at high pressures.

The pump's stainless steel liquid body assembly (wetted section) is identical to and interchangeable with the liquid body assembly in the S-216-J-() standard pump, so the hand pump will service water, oil and most corrosive chemicals.

Directional control of the liquid through the pump is maintained through the inlet and outlet soft seat, zero leakage, check valves.

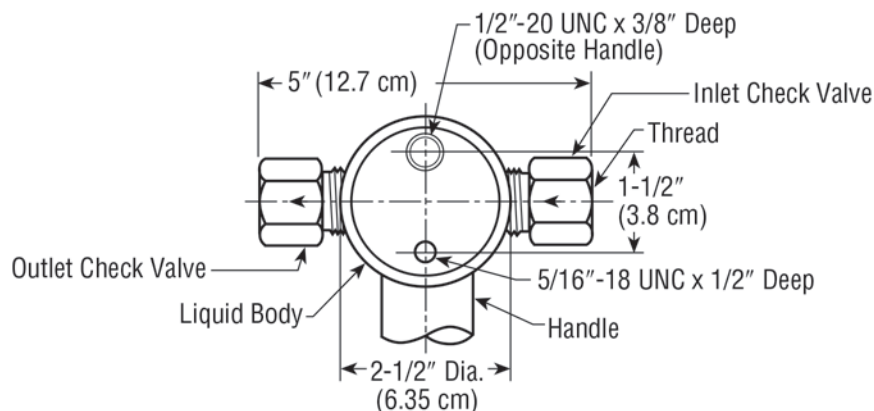
The pump is seven inches high from its base to the top of the pumping mechanism. The handle extends twenty-four inches and is furnished with a rubber grip.

The pump has two threaded mounting holes provided on the underside of the liquid body. The -35, -60, -100 and -101 pumps may be installed below or no more than two feet above the liquid source. The -125, -150, -200 and -300 pumps must be installed with the pumpinlet below the liquid source.



2

Nominal Dimensions and Clearances



Mounting Dimension – Bottom View

Part No.	Pump Output with 75 lbs. Handle Load	Liquid Inlet	Liquid Outlet
94301-035	2220 psi	NFC	NFC
94301-060	3020 psi	NFC	NFC
94301-100	4350 psi	NFC	NFC
94301-101	4750 psi	NFC	NFC
94301-125	5390 psi	NFB	NFB
94301-150	6800 psi	NFB	NFB
94301-200	12000 psi	NFB	HF4
94301-300	17400 psi	NFB	HF4